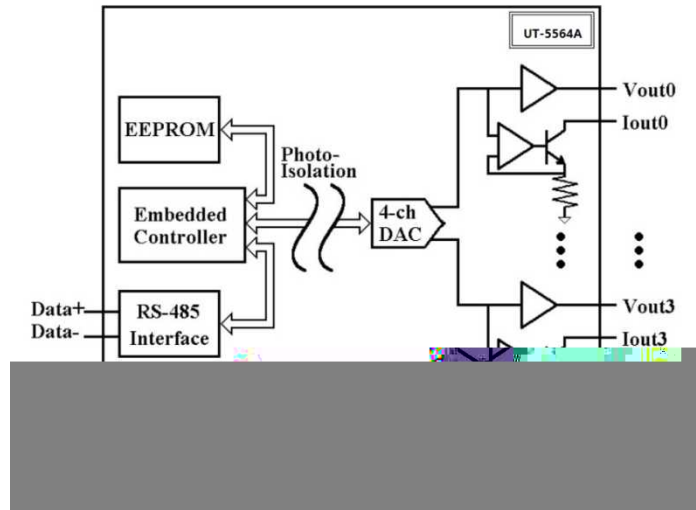


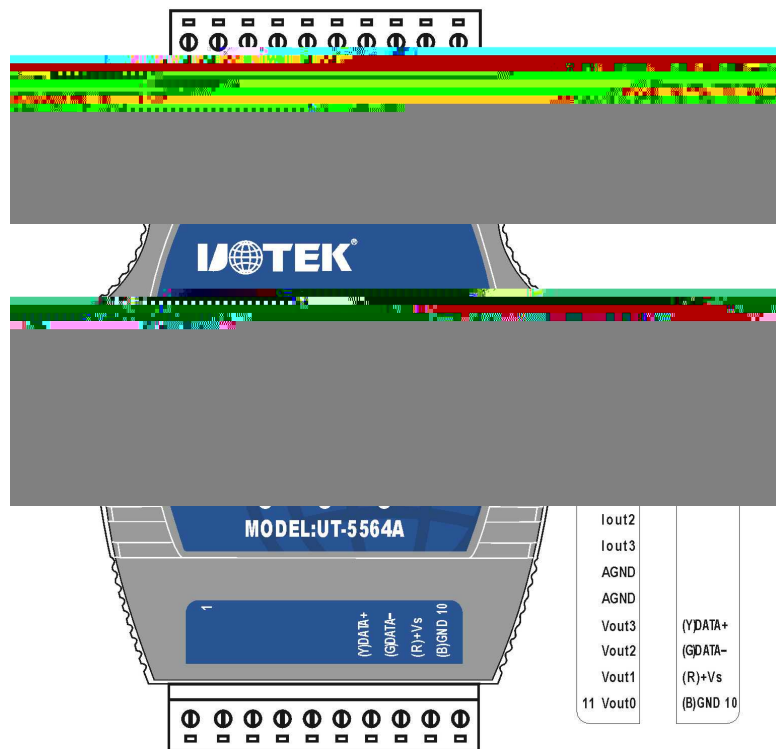
# UT-5564A

UT-5564A	D/A	
-10V~+10V	0 ~ 20mA	Modbus RTU
		RS-485
		115200 bps

- ◆
- ◆ Modbus-RTU 03 06 16
- ◆ 1200/2400/4800/9600/19200/38400/57600/115200 bps
- ◆ 1 / 1 1
- ◆ 1~247
- ◆ RS485
- ◆ -10V~+10V
- ◆ 0 ~ 20mA
- ◆ ± 0.5% of FSR
- ◆ 1K 24V DC
- ◆ 3000V DC
- ◆ +12 ~ +30V DC
- ◆ 2.5W
- ◆ -40° C ~ +85° C
- ◆ -40° C ~ +85° C
- ◆ 5% ~ 95%RH



4.1



4.2

(R)+Vs		Iout3	
(B)GND		Vout0	
(G)DATA-	RS-485-B	Vout1	
(Y)DATA+	RS-485-A	Vout2	
Iout0		Vout3	
Iout1		AGND	
Iout2		AGND	

4.3

电压输出线连接图:

电流输出线连接图:



PWR:

TXD

RXD

UT-5564A Modbus-RTU

03 06 16

Modbus-RTU

Modbus

### 6.1

45001(R/W)		40001(R/W)	0
45002(R/W)		40002(R/W)	1
45003(R/W)		40003(R/W)	2
45004(R/W)		40004(R/W)	3
45005(R/W)		40005(R/W)	
46001(R)		40006(R/W)	
46002(R)		40007(R/W)	
46003(R)		40008(R/W)	

### 6.2

	(hex)	)		
4000x(R/W) (x=0 3)	7FFFH	+32767	+10V	20mA
	...	...	...	...
	0000H	0	0V	0mA
	...	...	...	...
	8000H	-32768	-10V	0mA

$$U = \frac{\text{RegValue}}{32767} \times 10$$

U

RegValue -32768 ~ +32767;

$$I = \frac{\text{RegValue}}{32767} \times 20$$

I mA

RegValue 0 ~ +32767

### 6.3

		(bps)	
45002(R/W)	0000H	1200	None
	0001H	2400	None
	0002H	4800	None
	0003H	9600	None
	0004H	19200	None
	0005H	38400	None
	0006H	57600	None
	0007H	115200	None
	0008H	1200	Even
	0009H	2400	Even
	000AH	4800	Even
	000BH	9600	Even
	000CH	19200	Even
	000DH	38400	Even
	000EH	57600	Even
	000FH	115200	Even

	01
	9600bps
	1 1
0	0V 0mA
1	0V 0mA
2	0V 0mA
3	0V 0mA