

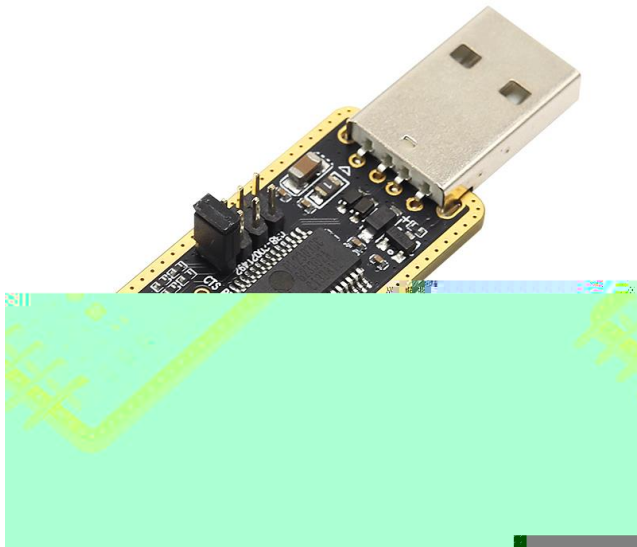


## UT-PL2303GC/USB/TTL

	UT-PL2303GC	USB	TTL		USB
TTL	UT-PL2303GC				
	300bps-3Mbps				USB
TTL					
	TTL	1.8V	2.5V	3.3V	5V
		RTS	CTS		
1	USB2.0			TTL	
2	USB	VCC	DATA-	DATA+	GND FG
3	TTL	:VCC	VIO	TXD	RXD GND CTS RTS
4					
5	TTL	1.8V/2.5V/3.3V/5V			
6					
7		300bps-3Mbps			
8					1 TTL
9		USB	5	USB	5
10				PWR	TXD RXD
11					
12					UART PLC
13		40mA			
14		-40	85	5%	95%
15		TXD	RXD	IO	15KV 8KV
16		Win2000/2003/2008/2012/XP/Vista/7/8/8.1/10/11/CE/Mac/Linux			

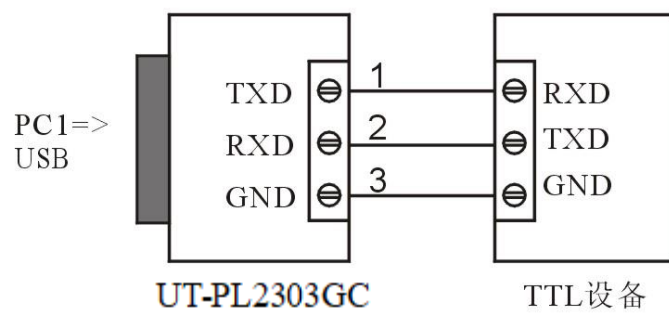
# TTL

5PIN		TTL
1	VCC	5V
2	VIO	IO
3	TXD	
4	RXD	
5	GND	



## USB TTL

### 1 TTL



1

A USB

B TTL

C

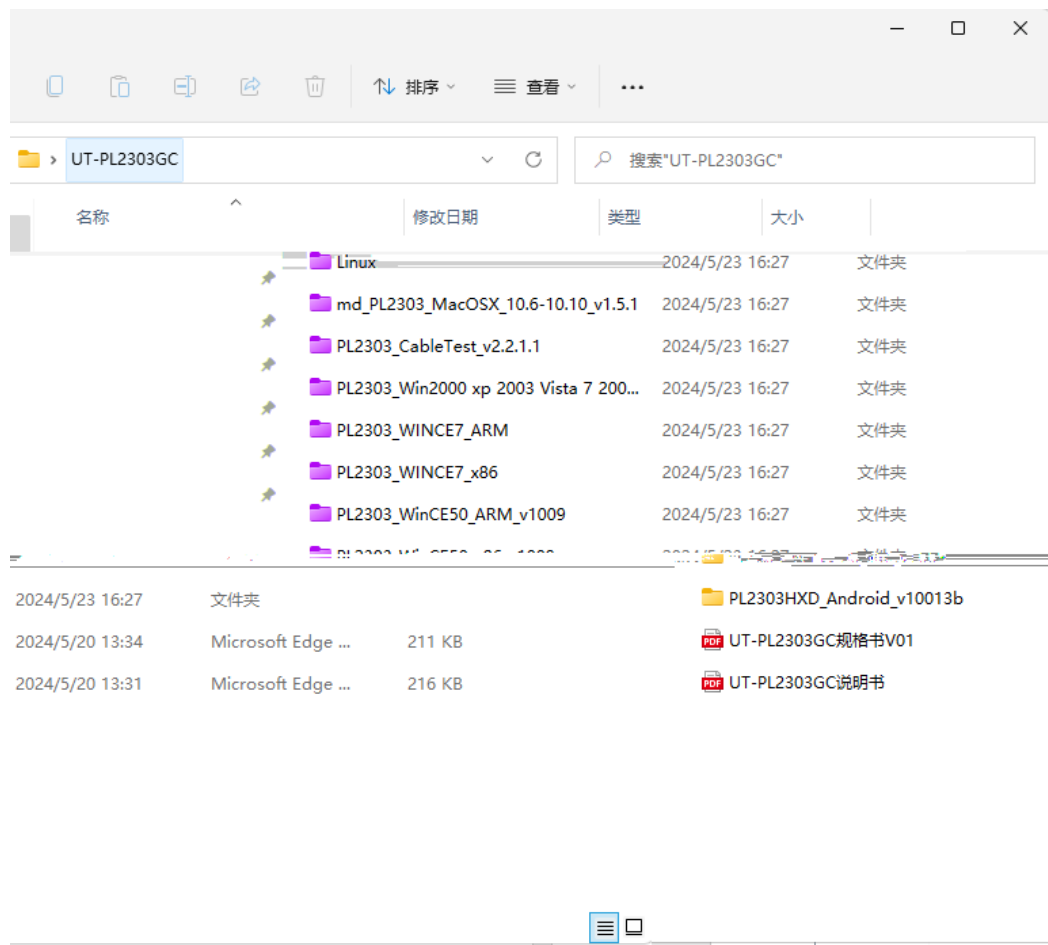
D

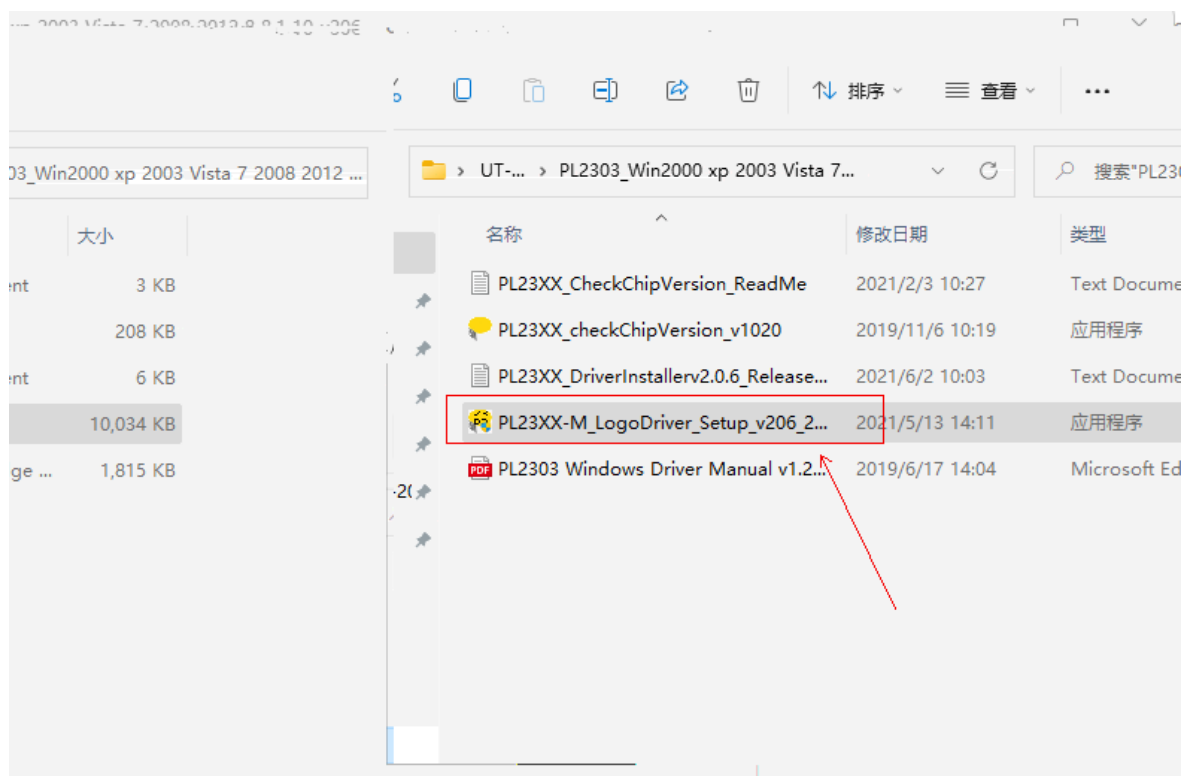
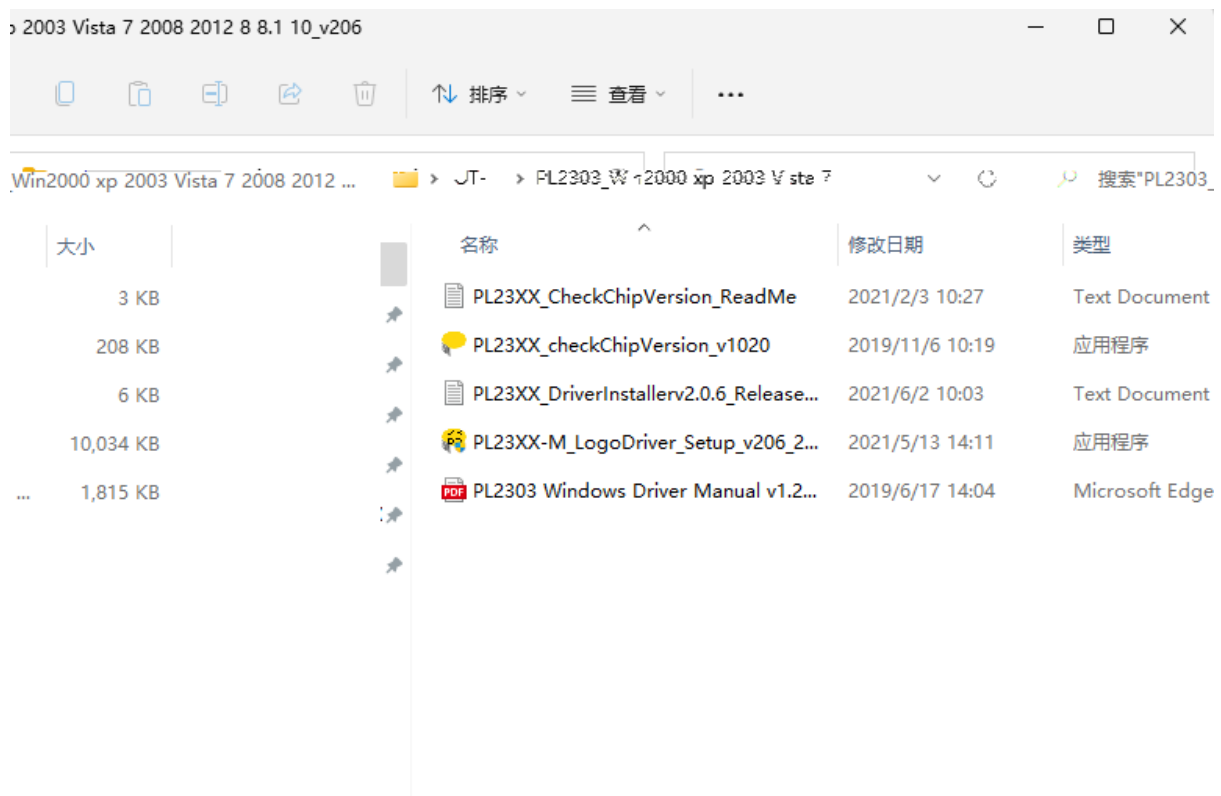
E

F

2

A





PL23XX USB-to-Serial Driver Installer Program



Wizard for PL23XX



**Welcome to the InstallShield Wizard for PL23XX USB-to-Serial**

PL23XX USB-to-Serial  
Click Next

The InstallShield Wizard will install the driver on your computer. To continue, click Next.

Next >

Cancel

< Back

Next >

PL23XX USB-to-Serial Driver Installer Program



**InstallShield Wizard Complete**

The InstallShield Wizard has successfully installed PL23XX USB-to-Serial. Click Finish to exit the wizard.

< Back

Finish

Cancel

