

**UT-5508**

8



1.

UT-5508

DCON

Mdbus RTU

RS-485

115.2K

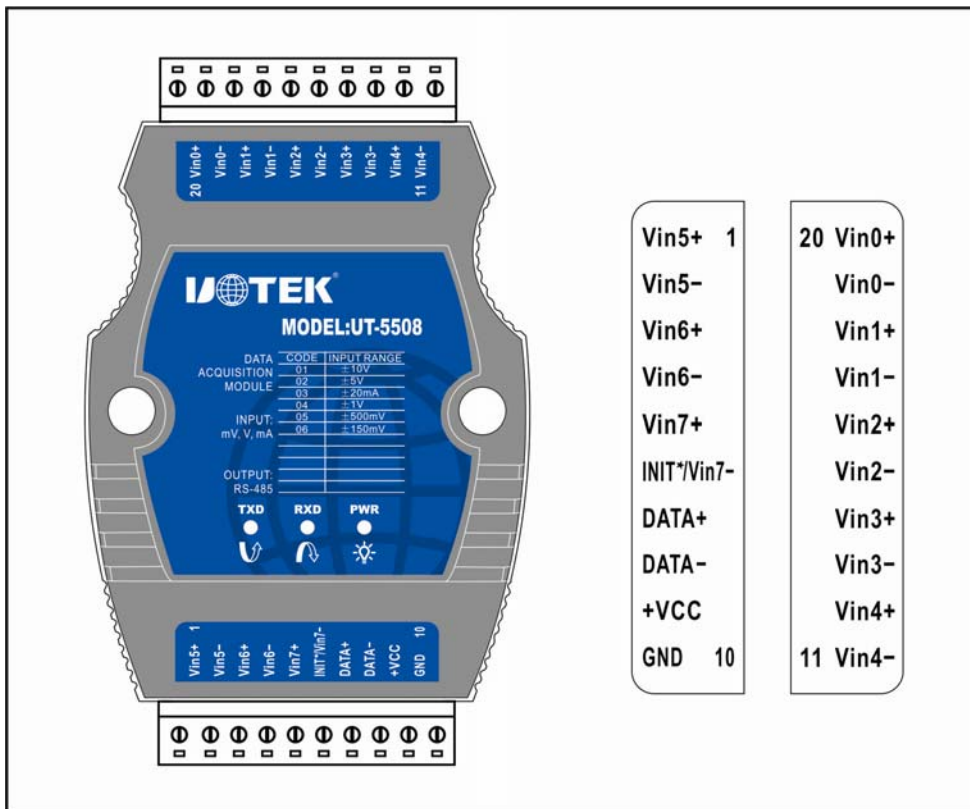
UT-5508

1. 2500VDC

2. 24 Sigma-Delta .....20

3. ....20

2.

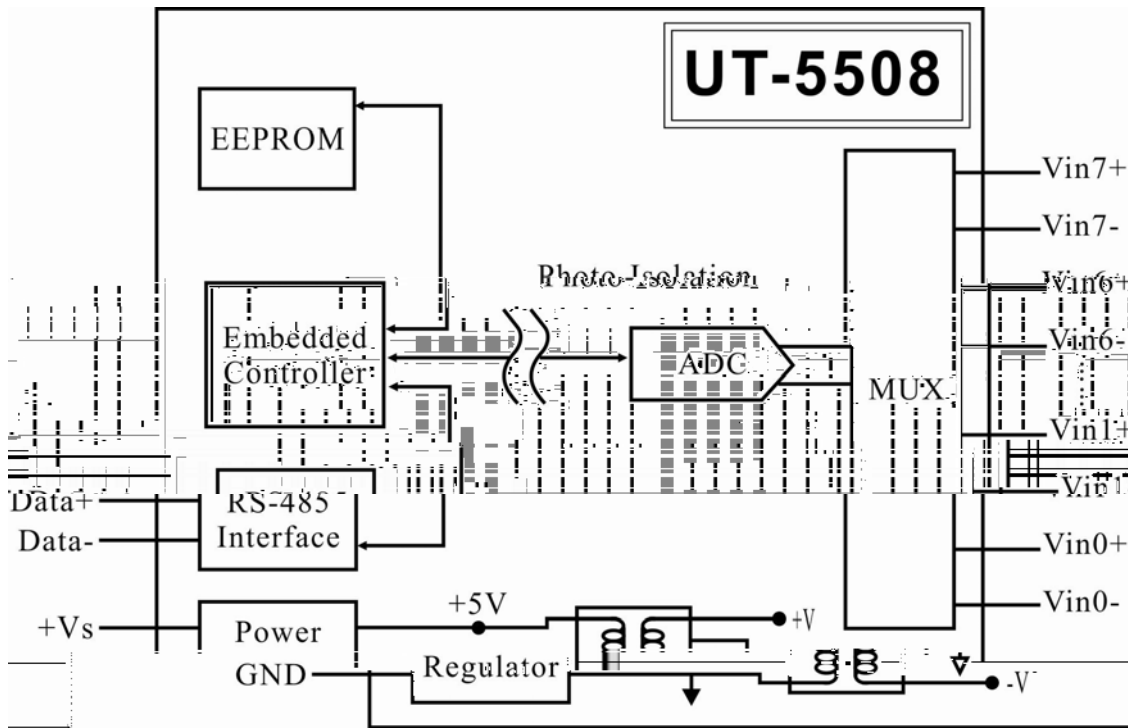


3.

UT-5508

- : 8 (2 )
- : mV, V, mA( 125 ohms )
- : 10 /
- : 15.7 Hz
- : ±0.1%
- : 20μV/°C
- : 25ppm/°C
- : 20M Ohms
- 25°C ~ +75°C
- 30°C ~ +75°C
- : 2500VDC
- : +9 +30 VDC
- : 1.3W

4.



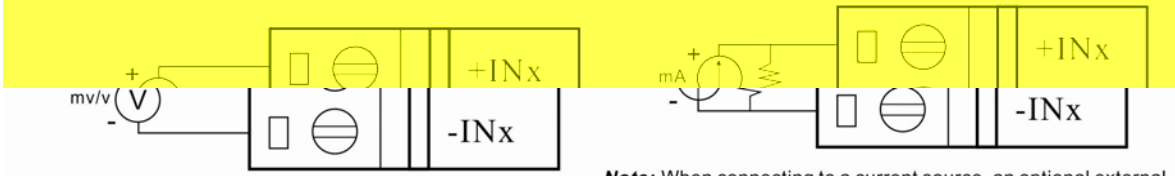
5.

UT-5508

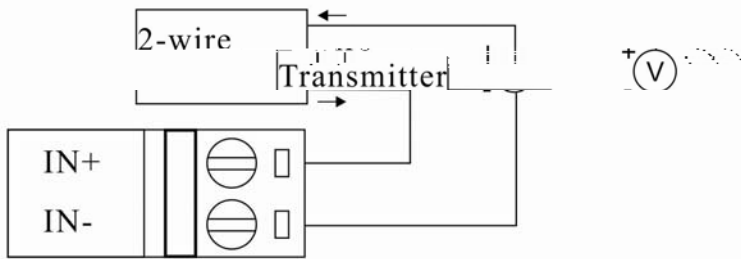
0 5

Wire Connection

Analogue Input Channel 0 to 5 Wire Connection



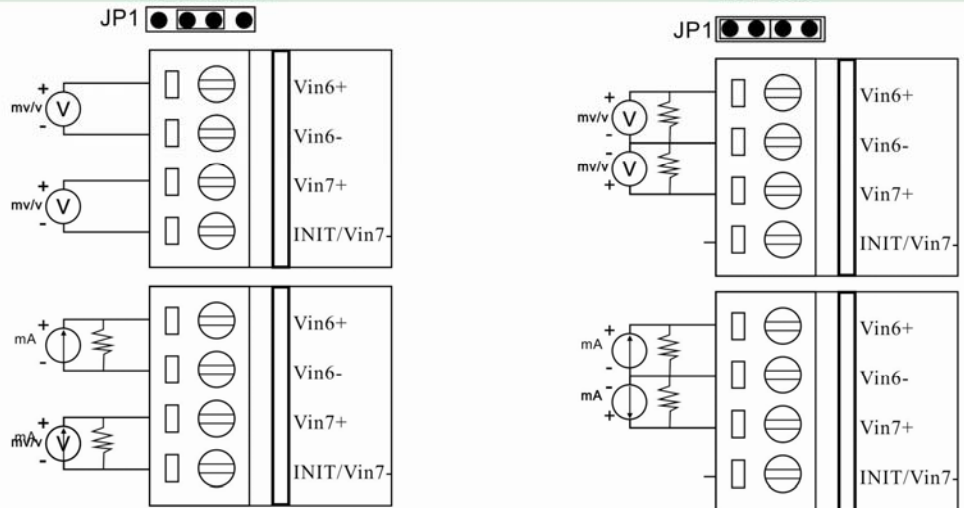
Note: When connecting to a current source, an optional external 125-Ohm resistor is required.



Analogue Input Channel 6 and 7 Digital

8 different mode

INIT\* mode



Note: To access the jumpers, the cover must be opened.

6.

UT-5508

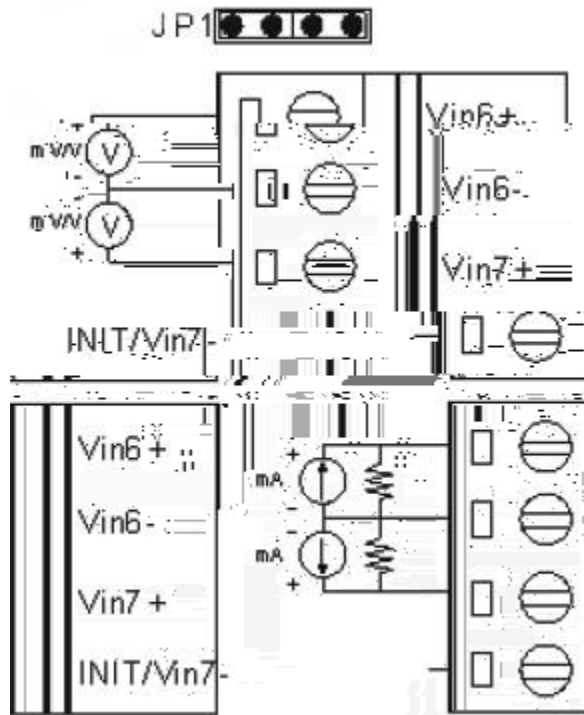
: 01

- 00 : +- 10V    01 : +- 5.0V    02 : +- 20mA    03 : +- 1.0V
- 04 : +- 500mV    05 : +- 150mV    06 : +- 10V    07 : +- 5.0V

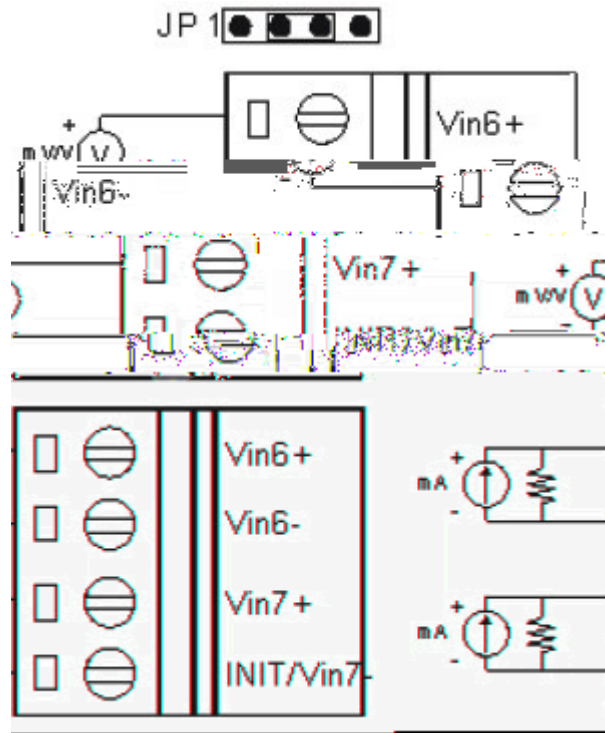
: 9600 bps  
 UT-5508 , 8 60Hz , (2 :6-7 )

**7.**

\*\*\* 6 7 :  
 1. (\*init), 125 , 3 4-20m  
 ( 1-2.5V, 333438-7FFFFF);  
 , , :



2. (diff), ,  
 , :



8.

9.

= +