

UT-203A

RS-232 RS-485/422

1.

- UTEK
-
- Logo 

2.

- UT-203A
- VER: 01

3.

- RS-232 RS-485/422

4.

1		EIA/TIA	RS-232C	RS-485/RS-422
2	RS-232	DB9	RS-485/422	DB9
3				
4				
5		300bps-115.2Kbps		
6		63mm× 33mm× 17mm		
7	-25	70	5%	95%
8	1,200	RS-485	5	RS-232

5.

RS-232C

DB9 Female(PIN)	RS-232C
1	
2	SOUT (TXD)
3	SIN (RXD)
4	DTR
5	GND
6	DSR
7	RTS
8	CTS
9	RI

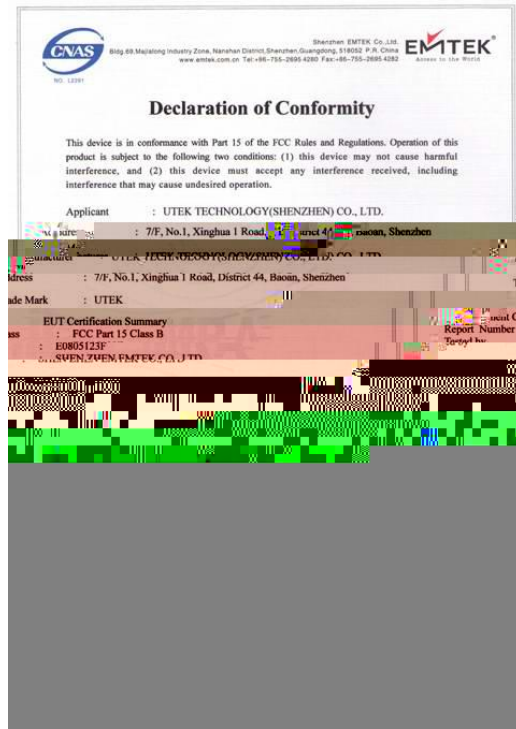
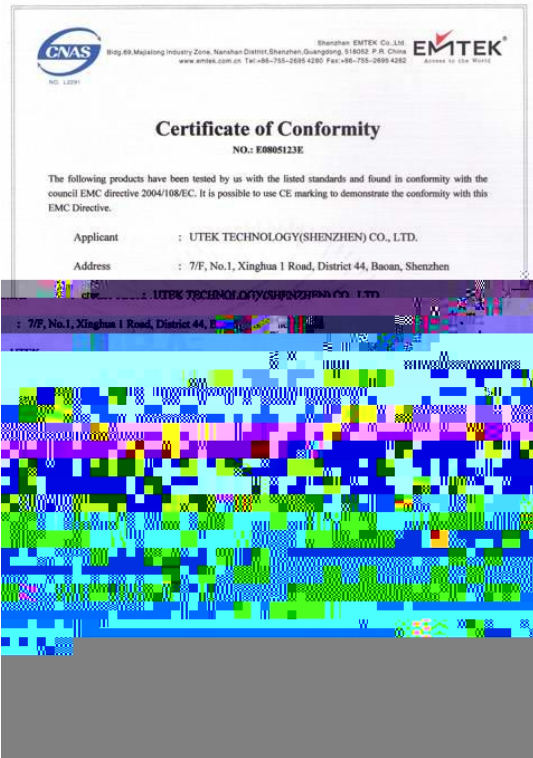
RS-485/RS-422

DB9 Male(PIN)		RS-422	RS-485
1	T/R+	(A+)	RS-485 (A+)
2	T/R-	(B-)	RS-485 (B-)
3	RXD+	(A+)	
4	RXD-	(B-)	
5	GND		
6	VCC	+5V	+5V

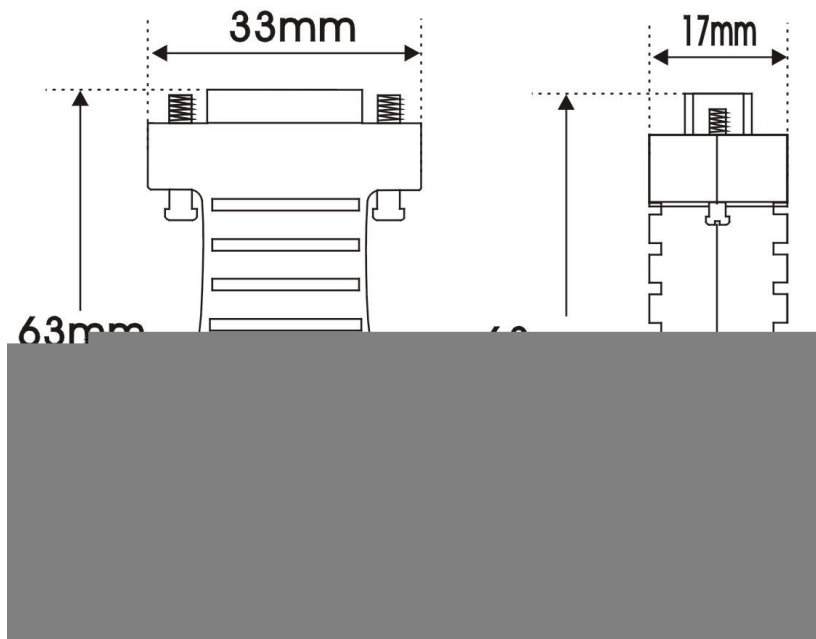
6.



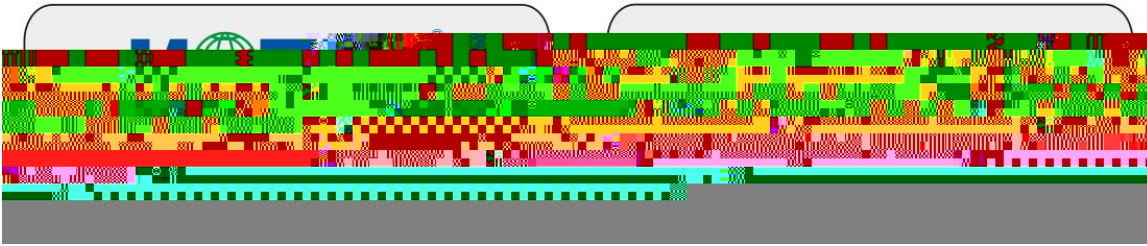
7. ()



8.



9.



10

11

160×105×55mm

:

12

-40 +85 ,