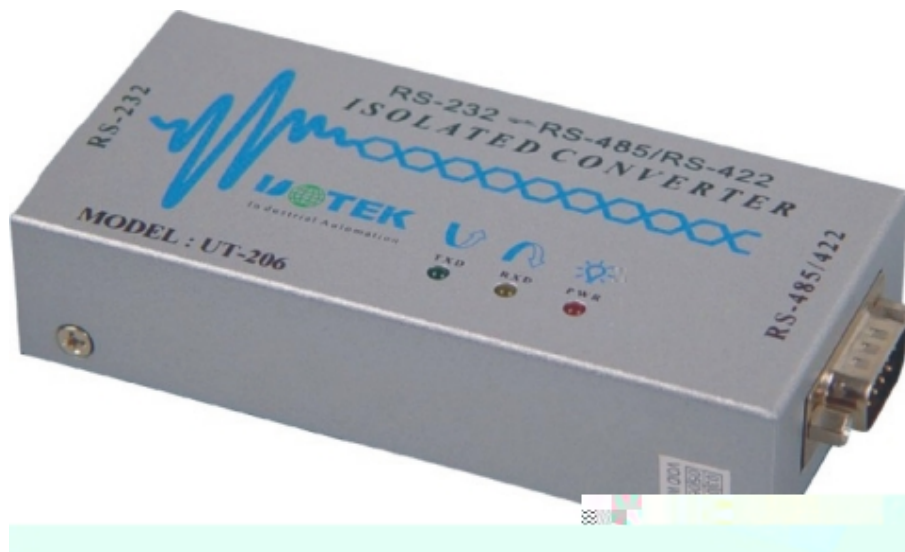


## **UT-206**

DB9	(PIN)	
1		
2		SOUT (TXD)
3		SIN (RXD)
4		DTR
5		GND
6		DSR
7		RTS
8		CTS
9		RI

**RS-485/RS-422**

DB9	/ (PIN)		RS-422	RS-485
1		T/R+	(A+)	RS-485 (A+)
2		T/R-	(B-)	RS-485 (B-)
3		RXD+	(A+)	
4		RXD-	(B-)	
5		GND		
6		VCC	9-24VDC 9-24VDC (100mA)	9-24VDC 9-24VDC (100mA)
7		N/A		
8		N/A		
9		N/A		





Shenzhen EMTEK Co., Ltd.  
 Bldg.69, Majialong Industry Zone, Nanshan District, Shenzhen, Guangdong, 518052 P.R. China  
 www.emtek.com.cn Tel:+86-755-2695 4280 Fax:+86-755-2695 4282



### Certificate of Conformity

NO.: E0805125E

The following products have been tested by us with the listed standards and found in conformity with the council EMC directive 2004/108/EC. It is possible to use CE marking to demonstrate the conformity with this EMC Directive.


Applicant	: UTEK TECHNOLOGY(SHENZHEN) CO., LTD.
Address	: 7/F, No.1, Xinghua 1 Road, District 44, Baoan, Shenzhen
Manufacturer	: UTEK TECHNOLOGY(SHENZHEN) CO., LTD.
Address	: 7/F, No.1, Xinghua 1 Road, District 44, Baoan, Shenzhen
Trade Mark	: UTEK
EUT	: Interface Converters
M/N	: UT-206, UT-208, UT-209, UT-218
Test Standards	: EN55022: 2006 EN61000-3-2: 2006 EN61000-3-3: 1995+A1: 2001+A2: 2005 EN55024: 1998+A1: 2001+A2: 2003




  
 (Manager)  
 May 25, 2008



The test report was carried out from the submitted type samples of a product in conformity with the specification of the respective standards. The certificate holder has the right to fix the CE-mark for EMC directive on the product complying with the inspection samples.



Shenzhen EMTEK Co., Ltd.  
 Bldg.69, Majialong Industry Zone, Nanshan District, Shenzhen, Guangdong, 518052 P.R. China  
 www.emtek.com.cn Tel:+86-755-2695 4280 Fax:+86-755-2695 4282



### Declaration of Conformity

This device is in conformance with Part 15 of the FCC Rules and Regulations. Operation of this product is subject to the following two conditions: (1) this device may not cause harmful interference, and (2) this device must accept any interference received, including interference that may cause undesired operation.

Applicant	: UTEK TECHNOLOGY(SHENZHEN) CO., LTD.
Address	: 7/F, No.1, Xinghua 1 Road, District 44, Baoan, Shenzhen
Manufacturer	: UTEK TECHNOLOGY(SHENZHEN) CO., LTD.
Address	: 7/F, No.1, Xinghua 1 Road, District 44, Baoan, Shenzhen
Trade Mark	: UTEK


**EUT Certification Summary**

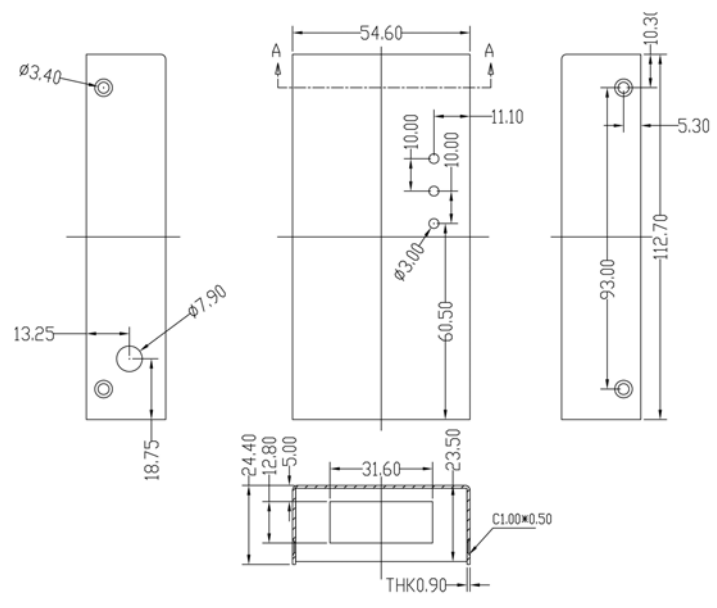
Equipment Class : FCC Part 15 Class B

Report Number : E0805125F

Tested by : SHEN ZHEN EMTEK CO., LTD

**We, the responsible party:**  
**UTEK TECHNOLOGY(SHENZHEN) CO., LTD.**  
 Declare that the product  
**Interface Converters**  
**M/N: UT-206, UT-208, UT-209, UT-218**





**WOTTEK**  
 产品名称: 接口转换器  
 型号: UT-206  
 额定电压: 9~24VDC  
 额定电流: 100mA

产地: 中国制造

CE

	1PCS
	1PCS
	1PCS
	1PCS
	1PCS
	1PCS
	1PCS



-40 +85 , 5% 95%