

UT-2127

RS-232 RS-485/422

1.

- UTEK
-
- Logo 

2.

- UT-2127
- VER: 01

3.

- RS-232 RS-485/422

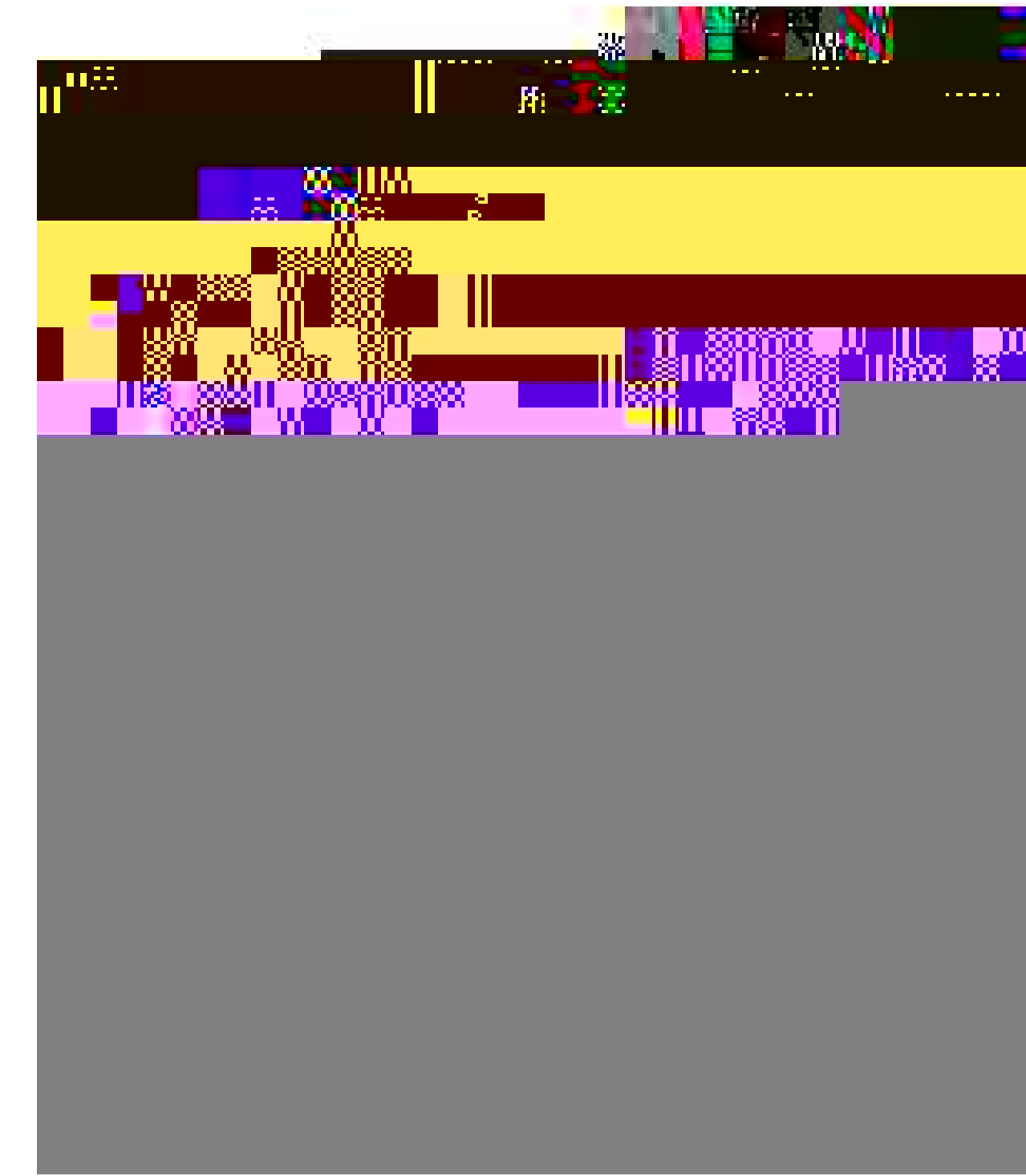
4.

1	EIA/TIA	RS-232C	RS-485/RS-422		
2	RS-232	DB9	RS-422/RS-485		
3	RS-232	+/-15KV ESD	RS-422 RS-485	600W	
4		2500Vrms	500DC		
5					
6					
7	115.2K BPS	300M			
	38.4K BPS	600M			
	9600 BPS	1.2KM			
8	61mm× 41mm× 21mm				
9	-40	85	5%	95%	

5.

RS-232C

DB9	(PIN)	RS-232C
1		
2		SOUT (TXD)
3		SIN (RXD)
4		DTR
5		GND
6		DSR
7		RTS
8		CTS
9		RI



RS-485/RS-422

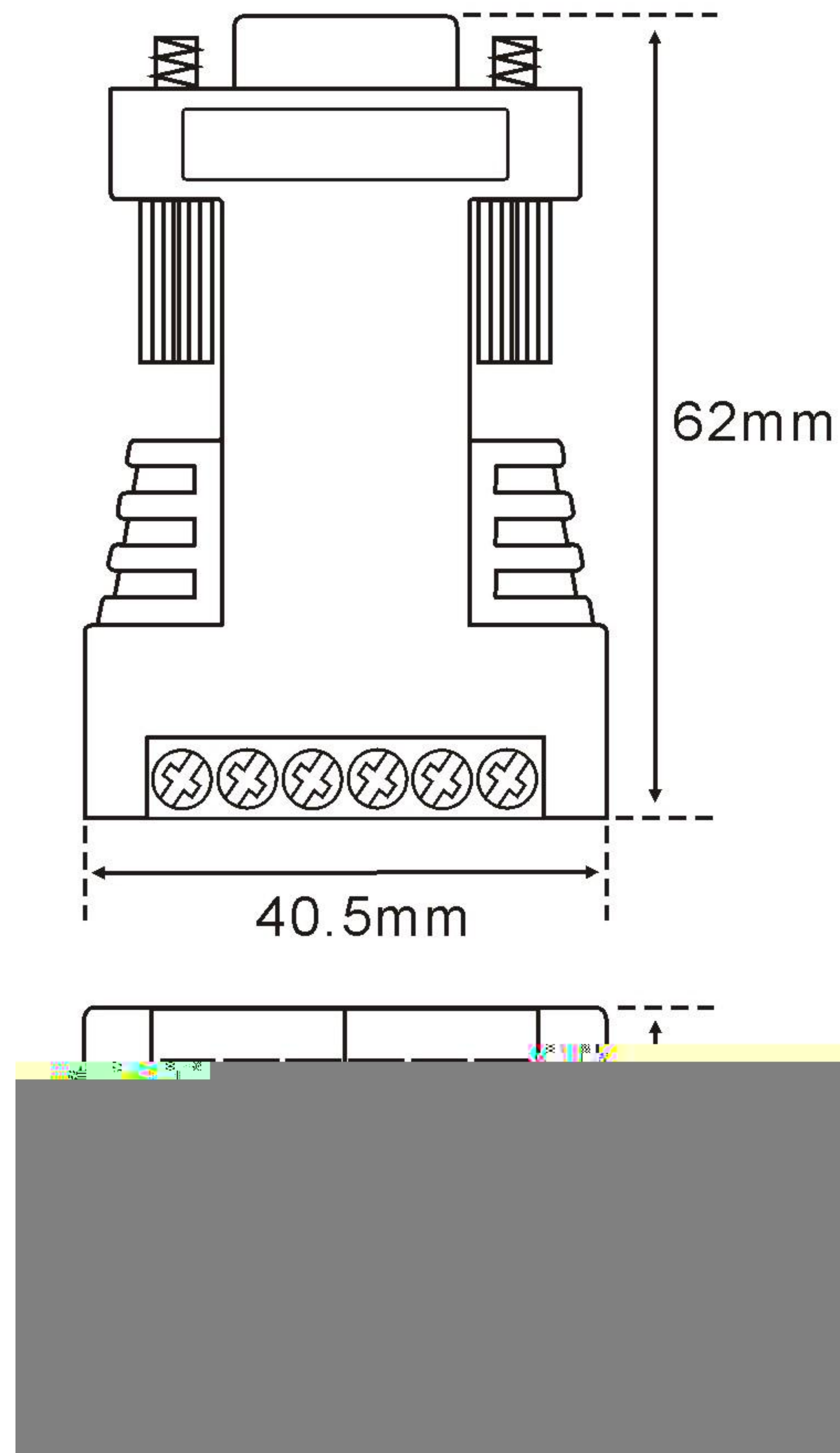
		RS-422	RS-485
1	T/R+	(A+)	RS-485(A+)
2	T/R-	(B-)	RS-485(B-)
3	RXD+	(A+)	
4	RXD-	(B-)	
5	SGND		
6	SGND		

6.

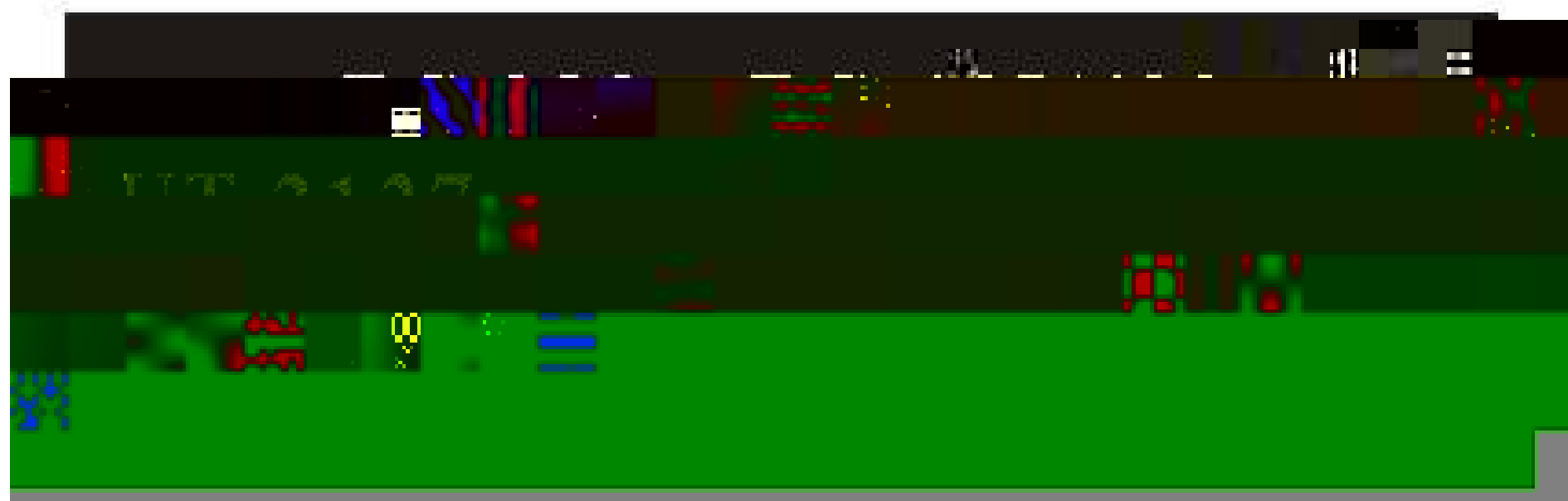


7.

8.



9.



10

Name	Number(unit)
UT-2127	1PC
Chinese instructions	1PC
Certificate of product	1PC

11



160×105×55mm

12

-40 +85 , 5% 95%

13

14

15