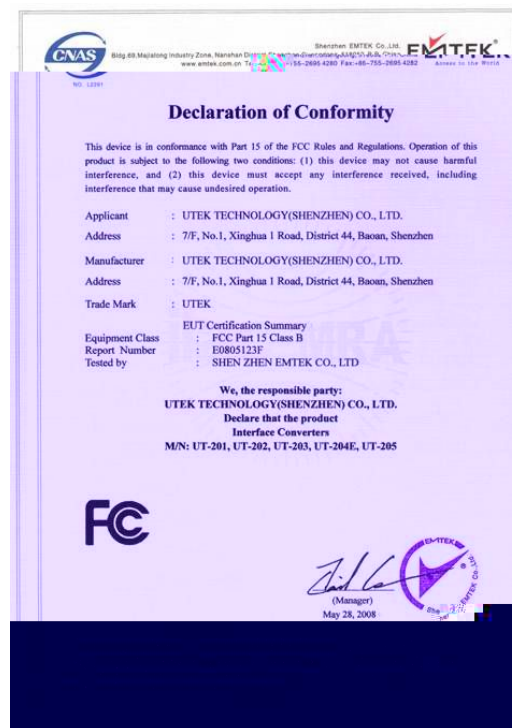
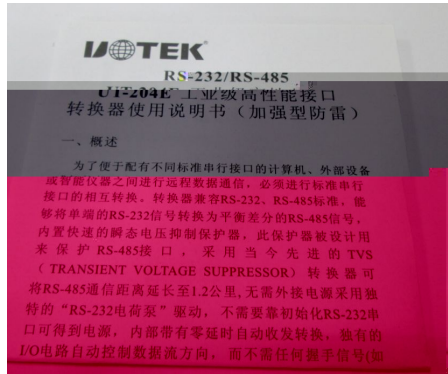
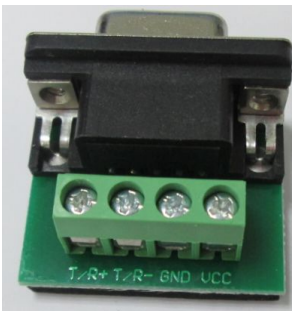
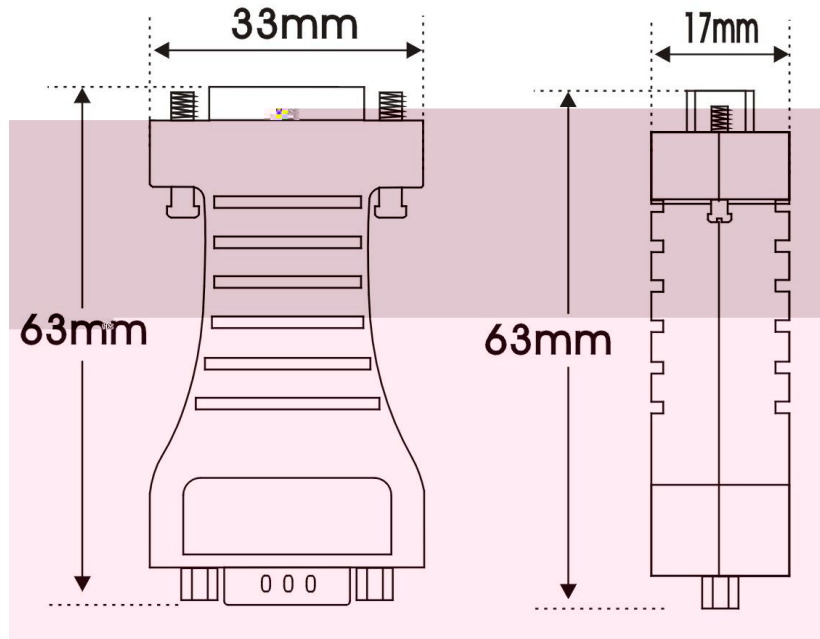


UT-204E

DB9 Female(PIN)	RS-232C
1	
2	SOUT (TXD)
3	SIN (RXD)
4	DTR
5	GND
6	DSR
7	RTS
8	CTS
9	RI

DB9 Male(PIN)		RS-485
1	T/R+	RS-485 (A+)
2	T/R-	

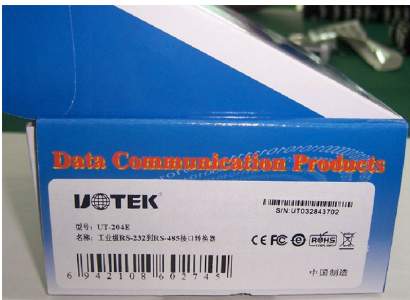




RS-232 ⇌ RS-485
Data Communications
Interface Converters
CE FC

Model: UT-204E
RS-485 Output Port

	1PCS
	1PCS
	1PCS
	1PCS



-40 +85 , 5% 95%

((