

UT-2017



1		EIA/TIA	RS-232C	RS-485	
2	RS-232		DB9	RS-485	DB9
3	RS-232	15KV ESD	RS-485	600W	
4		2500Vrms	500DC		
5					
6					
7	38400bps	300m			
	9600bps	1.2Km			
8	63mm	33mm	17mm		
9	-25	70	5%	95%	

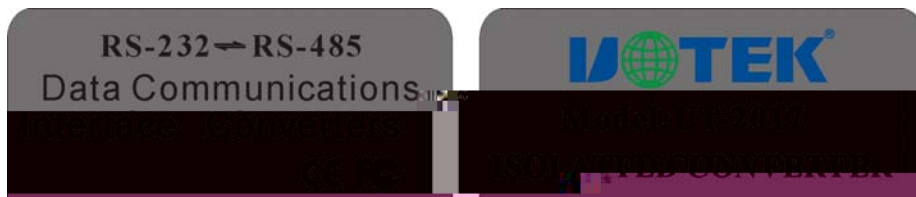
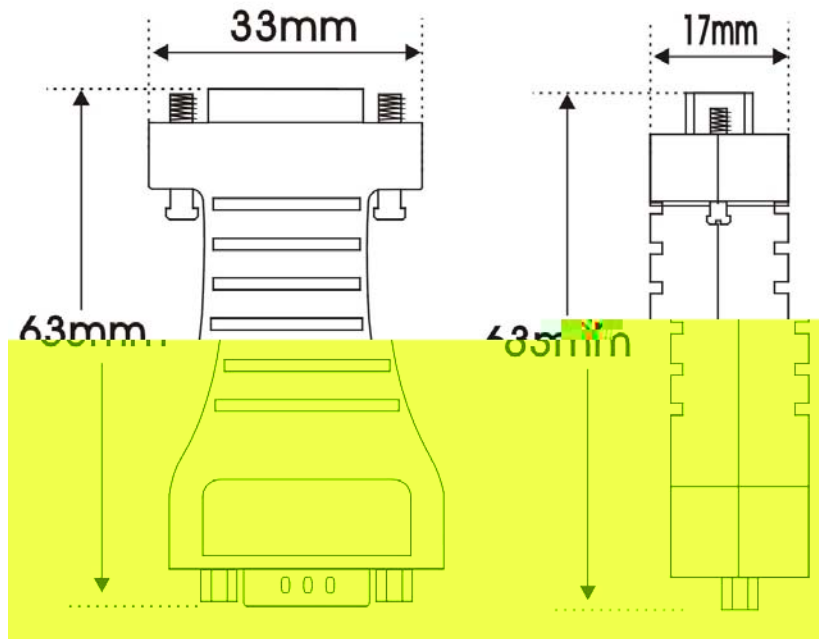
RS-232C

DB9 / (PIN)	RS-232C
1	
2	SOUT (TXD)
3	SIN (RXD)
4	DTR
5	GND
6	DSR
7	RTS
8	CTS
9	RI

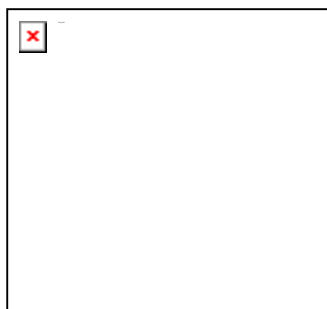
RS-485

DB9		
1	T/R+	RS-485(A+)
2	T/R-	RS-485(B-)
3	N/C	
4	N/C	
5	GND	
6.7.8.9	N/C	





	1PCS
	1PCS
	1PCS
	1PCS



-40 +85 , 5% 95%