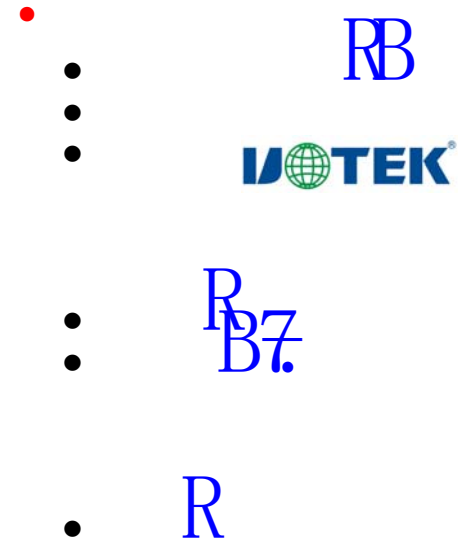


UT-882 R

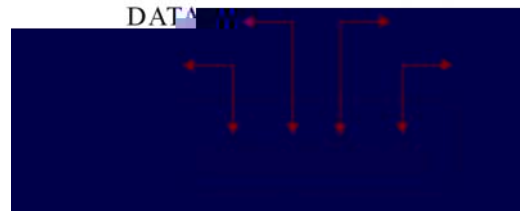


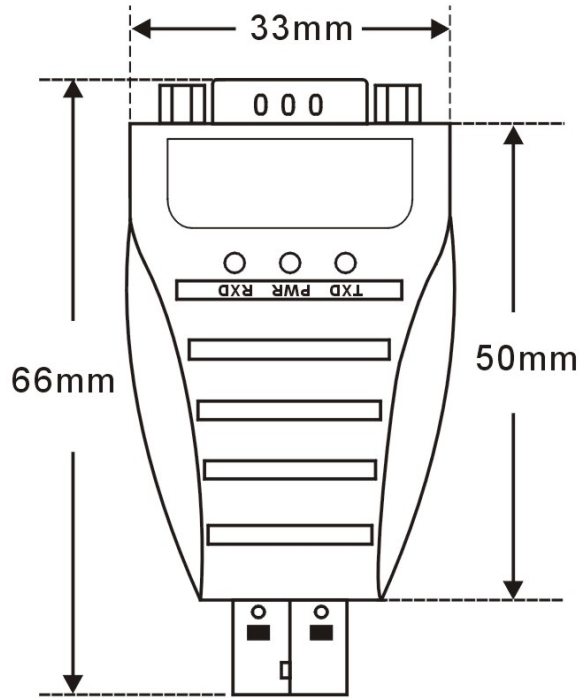
1

1	USBV1.1	1.0	2.0							
2	USB	VCC	DATA+	DATA-	GND	FG				
3	RS-232	DCD	RXD	TXD	DTR	GND	DSR	RTS	CTS	RT
4										
5										
6		300-460800bps,								
7		RS-232								
8	USB	5	RS-232	5						
9		±15KV								
10	USB	A	,DB9							
11			PWR	TXD					RXD	
12		66mm	33mm	16mm						
13		-40	85		5%	95%				
14	Windows98/2000/xp/Vista/Server2003/Win7/Macos-x/Os9 Linux									

DB9 Female(PIN)	RS-232C
1	
2	SIN (RXD)
3	SOUT (TXD)
4	DTR
5	GND
6	DSR
7	RTS
8	CTS
9	RI

USB插座引脚分配图





6

USB ↔ RS-232
Data Communications
Interface Converters
CE FC

WOTTEK
MODEL: UT-882
RS-232 Output Port

USB

RS-232

—
•

	1PCS
	1PCS
	1PCS

••



7

•

-40 +85 , 5% 95%

•

1

•