

## UT-211

1.

UOTEK

Logo



2.

UT-211

VER. 01

3.

RS-232

4.

|   |                  |            |     |     |  |
|---|------------------|------------|-----|-----|--|
| 1 | EIA RS-232       | CCITT V.24 |     |     |  |
| 2 |                  | DB9        |     |     |  |
| 3 |                  |            |     |     |  |
| 4 | 2500Vrms         | 500VDC     |     |     |  |
| 5 | 300BPS-57600BPS  |            |     |     |  |
| 6 | RS-232           | TXD        | RTS | DTR |  |
| 7 | 63mm× 33mm× 17mm |            |     |     |  |
| 8 | 30g              |            |     |     |  |
| 9 | -40              | 85         | 5%  | 95% |  |

5.

RS- 232C DTE

| DB9 | PI N | RS- 232C   |
|-----|------|------------|
| 1   |      |            |
| 2   |      | SOUT (TXD) |
| 3   |      | SIN (RXD)  |
| 4   |      | DTR        |
| 5   |      | GND        |
| 6   |      | DSR        |
| 7   |      | RTS        |
| 8   |      | CTS        |
| 9   |      | RI         |

RS- 232C DCE

| DB9 | PI N | RS- 232C   |
|-----|------|------------|
| 1   |      |            |
| 2   |      | SIN (RXD)  |
| 3   |      | SOUT (TXD) |
| 4   |      | DTR        |
| 5   |      | GND        |
| 6   |      | DSR        |
| 7   |      | RTS        |
| 8   |      | CTS        |
| 9   |      | RI         |

6.



7. ( )

Bldg.69, Majialing Industry Zone, Nanshan District, Shenzhen, Guangdong, 518052, P.R. China  
 www.emtek.com.cn Tel:+86-755-2695 4280 Fax:+86-755-2695 4282

### Certificate of Conformity

NO.: E0005123E

The following products have been tested by us with the listed standards and found in conformity with the council EMC directive 2004/108/EC. It is possible to use CE marking to demonstrate conformity with this EMC Directive

|                |   |
|----------------|---|
| Applicant      | : UTEK TECHNOLOGY(SHENZHEN) CO., LTD.                     |
| Address        | : 7/F, No.1, Xinghua 1 Road, District 44, Baoan, Shenzhen |
| Manufacturer   | : UTEK TECHNOLOGY(SHENZHEN) CO., LTD.                     |
| Address        | : 7/F, No.1, Xinghua 1 Road, District 44, Baoan, Shenzhen |
| Trade Mark     | : UTEK  |
| EUT            | : Interface Converters                                    |
| M/N            | : UT-210, UT-211, UT-212                                  |
| Test Standards | : EN55022: 2006<br>EN55024: 1998+A1:2001+A2: 2003         |

(Manager)  
May 28, 2008

The test report was carried out from the submitted type samples of a product in conformity with the specification of the respective standards. The certificate holder has the right to fix the CE-mark for EMC directive on the product complying with the inspection samples.

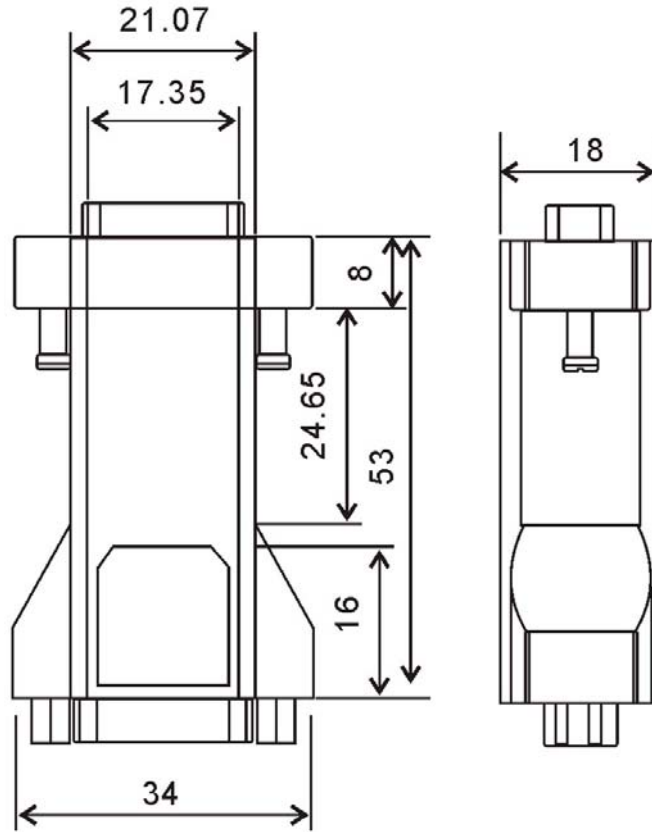
Bldg.69, Majialing Industry Zone, Nanshan District, Shenzhen, Guangdong, 518052, P.R. China  
 www.emtek.com.cn Tel:+86-755-2695 4280 Fax:+86-755-2695 4282

### Declaration of Conformity

This device is in conformance with Part 15 of the FCC Rules and Regulations. Operation of this product is subject to the following two conditions: (1) this device may not cause harmful interference, and (2) this device must accept any interference received, including interference that may cause undesired operation.

|              |   |
|--------------|---|
| Applicant    | : UTEK TECHNOLOGY(SHENZHEN) CO., LTD.                     |
| Address      | : 7/F, No.1, Xinghua 1 Road, District 44, Baoan, Shenzhen |
| Manufacturer | : UTEK TECHNOLOGY(SHENZHEN) CO., LTD.                     |
| Address      | : 7/F, No.1, Xinghua 1 Road, District 44, Baoan, Shenzhen |

8.



9.



10

|  |      |
|--|------|
|  |      |
|  | 1PCS |
|  | 1PCS |
|  | 1PCS |

11



160× 105× 55mm

:

12

-40 +85 , 5% 95%

13

/ /

14

15