

UT-210

1.



2.

UT-210
VER. 01

3.

RS-232 TTL

4.

1. EIA/TIA RS-232C TTL/COMS
2. RS-232 DB9 TTL DB9
- 3.
- 4.
5. 300bps-115.2Kbps
6. 63mm× 34mm× 18mm
7. -40 85 5% 95%
8. 5

5.

RS-232C

DB9 Female(PIN)	RS-232C
1	DCD
2	SOUT (TXD)
3	SIN (RXD)
4	DTS
5	GND
6	DTR
7	RTS
8	CTS
9	RI

TTL

DB9 Male(PIN)		TTL	5V
1	RXD		
2	TXD		
3			
4			
5			
6	+5V	+5V	
7,8,9			

6.



7. ()

Shenzhen EMTEK Co., Ltd.
 Bldg.69, Majialing Industry Zone, Nanshan District, Shenzhen, Guangdong, 518052, P.R. China
 www.emtek.com.cn Tel:+86-755-2695 4280 Fax:+86-755-2695 4282

Certificate of Conformity

NO.: E0005123E

The following products have been tested by us with the listed standards and found in conformity with the council EMC directive 2004/108/EC. It is possible to use CE marking to demonstrate conformity with this EMC Directive

Applicant	: UTEK TECHNOLOGY(SHENZHEN) CO., LTD.
Address	: 7/F, No.1, Xinghua 1 Road, District 44, Baoan, Shenzhen
Manufacturer	: UTEK TECHNOLOGY(SHENZHEN) CO., LTD.
Address	: 7/F, No.1, Xinghua 1 Road, District 44, Baoan, Shenzhen
Trade Mark	: UTEK
EUT	: Interface Converters
M/N	: UT-210, UT-211, UT-212
Test Standards	: EN55022: 2006 EN55024: 1998+A1:2001+A2: 2003

(Manager)
May 28, 2008

The test report was carried out from the submitted type samples of a product in conformity with the specification of the respective standards. The certificate holder has the right to fix the CE-mark for EMC directive on the product complying with the inspection samples.

Shenzhen EMTEK Co., Ltd.
 Bldg.69, Majialing Industry Zone, Nanshan District, Shenzhen, Guangdong, 518052, P.R. China
 www.emtek.com.cn Tel:+86-755-2695 4280 Fax:+86-755-2695 4282

Declaration of Conformity

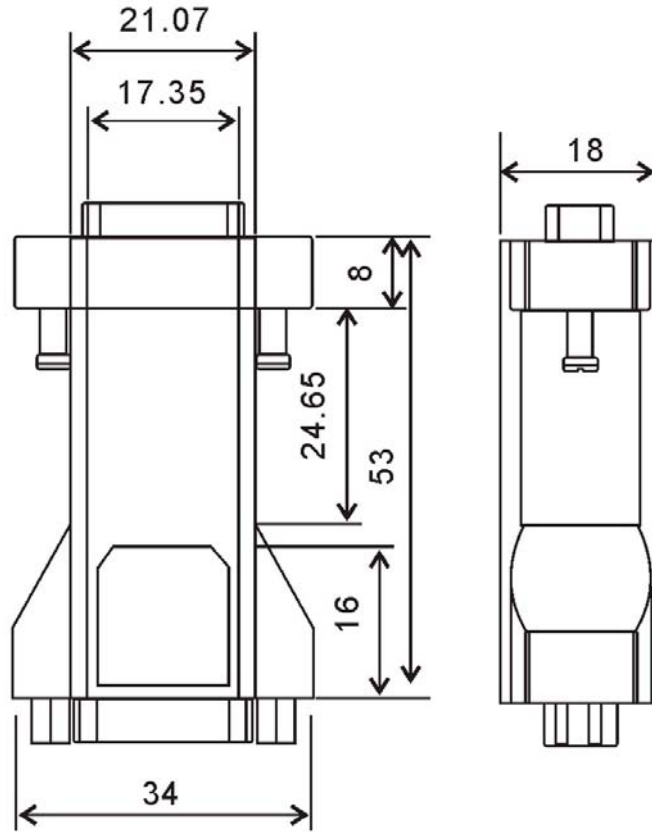
This device is in conformance with Part 15 of the FCC Rules and Regulations. Operation of this product is subject to the following two conditions: (1) this device may not cause harmful interference, and (2) this device must accept any interference received, including interference that may cause undesired operation.

Applicant	: UTEK TECHNOLOGY(SHENZHEN) CO., LTD.
Address	: 7/F, No.1, Xinghua 1 Road, District 44, Baoan, Shenzhen
Manufacturer	: UTEK TECHNOLOGY(SHENZHEN) CO., LTD.
Address	: 7/F, No.1, Xinghua 1 Road, District 44, Baoan, Shenzhen
Trade Mark	: UTEK
EUT	: Interface Converters
M/N	: UT-210, UT-211, UT-212
Test Standards	: FCC Part 15, Subpart B, Class B

(Manager)
May 28, 2008

We, the responsible party, UTEK TECHNOLOGY(SHENZHEN) CO., LTD. Declare that the product Interface Converters M/N: UT-210, UT-211, UT-212

8.



9.



10

	1PCS
	1PCS
	1PCS

11



160x 105x 55mm

:

12

-40 +85 , 5% 95%

13

/ /

14

15