

## UT-2211

RS-232 RS-485

1.

- UTEK
- 
- Logo 

2.

- UT-2211
- VER: 01

3.

- RS-232/485

4.

- |    |        |                      |         |        |
|----|--------|----------------------|---------|--------|
| 1. |        | EIA/TIA              | RS-232C | RS485  |
| 2. | RS-232 | DB9                  |         | RS-485 |
| 3. |        |                      |         |        |
| 4. |        |                      |         |        |
| 5. |        | 300BPS-115.2KBPS     |         |        |
| 6. |        | 58mm × 33mm × 19.5mm |         |        |
| 7. |        | -25 70               |         | 5% 95% |
| 8. |        | 1,200 RS-485         | 5       | RS-232 |

5.

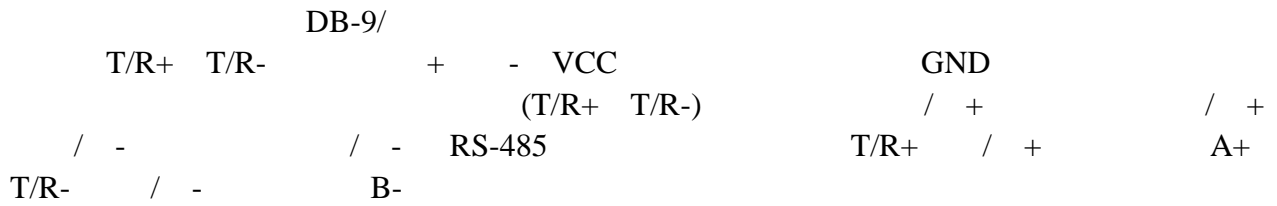
### RS-232C

DB9 / (PIN)	RS-232C
1	
2	SOUT (TXD)
3	SIN (RXD)
4	DTR
5	GND
6	DSR
7	RTS
8	CTS
9	RI

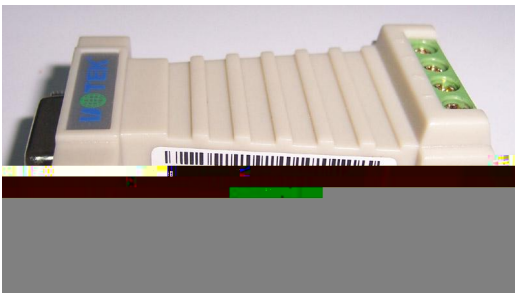
### RS-485

		RS-485
1	T/R+	RS-485 (A+)
2	T/R-	RS-485 (B-)
3	GND	
4	VCC	+5V

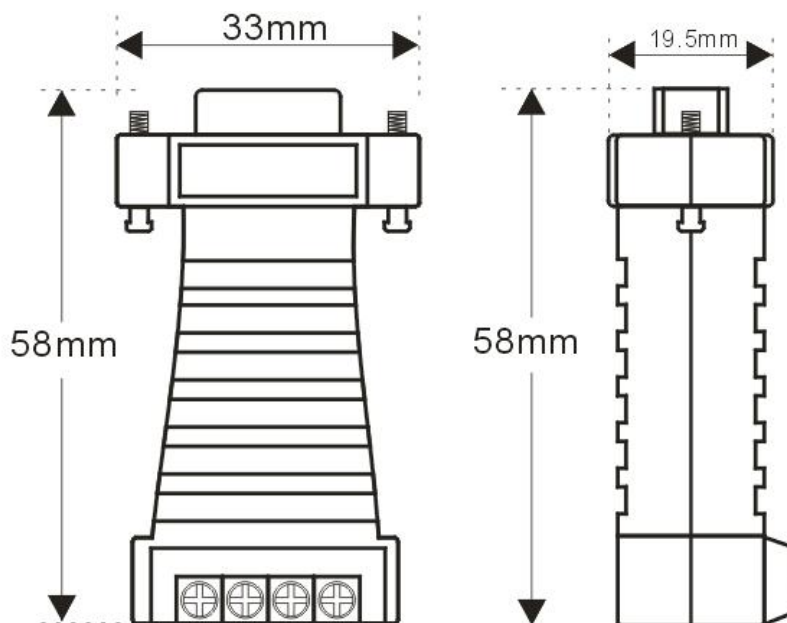
6.



7.



8.



9.

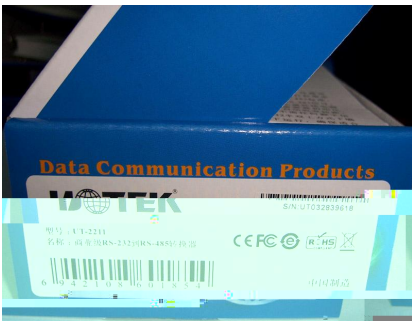


MODEL:UT-2211  
RS-232 ⇌ RS-485

10.

UT-2211	1PCS
	1PCS
	1PCS
	1PCS

11.



160×105×55mm

12.

-40 +85 , 5% 95%

13.

14.

15.