

UT-5209

COPYRIGHT © UTEK INC 1997-2006
ALL RIGHTS RESERVED

1.1
1.2

1.1
1.2

1.1

UT-5209

UT-5209

UT-5209

485/232

1.2

--
--
--

2400 4800 9600 19200 38400 115200 bit/s

RS-232/485/422 RS-485/422

9-30V(DC) 1W

:

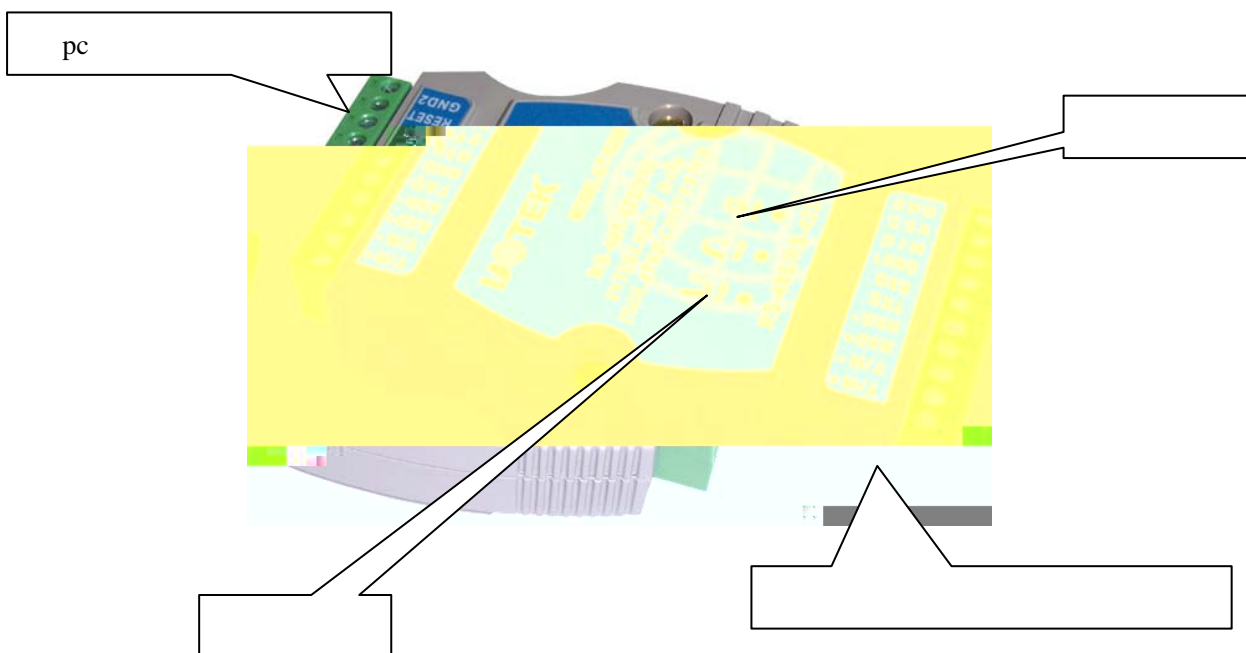
: -20 85

: -40% 85%

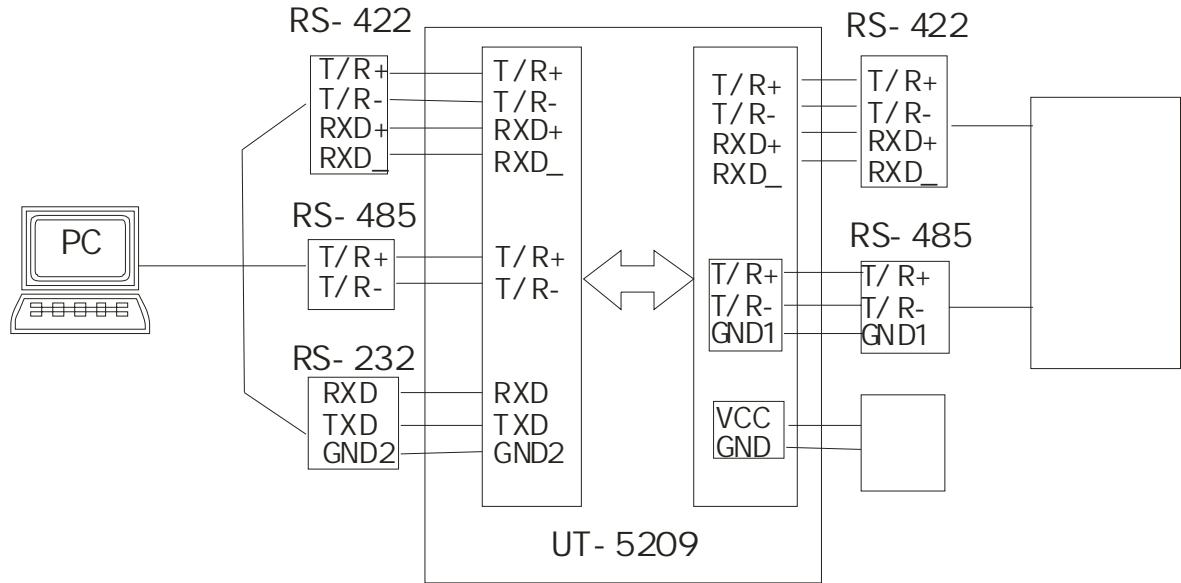
: -45 +150

win98/win2000/winXP/Vista

1.1



1.2



1.2.1 pc UT-5209

1.2.2 demo pc
 UT-5209 UT-5209 UT-5209
 UT-5209 UT-5209 pc

PC 10Pin

1	T/R+ 422 + 485+	422 +/485+
2	T/R- 422 - 485-	422 -/485-
3	RXD+ 422 +	422 +
4	RXD- 422 -	422 -
5	TXD	232 pc DB9 3
6	RXD	232 pc DB9 2
7	RTS	232
8	CTS	232
9	RESET	10
10	GND2 ()	pc DB9 5

10Pin

1	T/R+ 422 + 485+	422 +/485+
2	T/R- 422 - 485-	422 -/485-
3	RXD+ 422 +	422 +
4	RXD- 422 -	422 -
5	N/C	
6	N/C	
7	GND1 ()	
8	N/C	
9	VCC	9-48V
10	GND ()	